

TRUCK RUN



CC05 Display

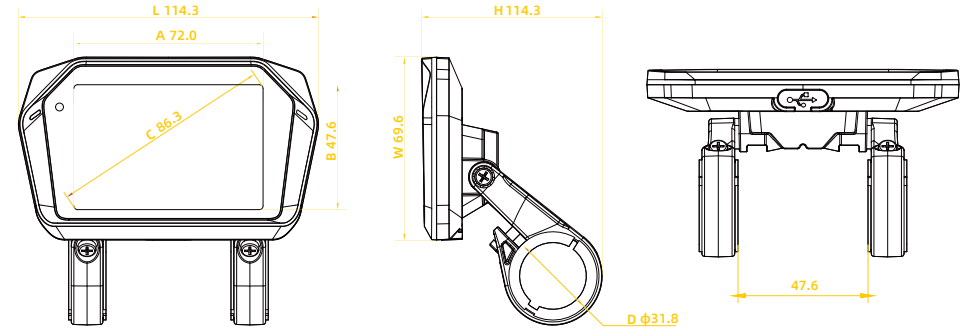
USER MANUAL

INTRODUCTION-CC05

With a 3.5-inch horizontal screen, CC05 is adaptable to urban leisure bicycles. This product is oriented to high-end markets with a focus on Product texture.

With excellent performance and a novel shape. CC05 is also equipped with breathing lights which change the color with the speed.

The upgrade version of CC05 even possesses an APP to realize the function of navigation.



PRODUCT ADVANTAGES

- OCR Full-Fit
- Breathing Light
- Multi-color Gear
- Dynamic Interface
- Board End Connector
- Type-C Charging Port
- Support UART/CAN Protocol
- Soda Lime Glass Hardness Value:6h
- Customized Backlight Module:450cd/m²
- Navigation (Upgrade)



PRODUCT PARAMETERS



Category		Parameter
Size	L*W*H	114.3*69.6*68.7mm
	A*B	72.0*47.6mm
	C	3.5
	D	φ25.4/φ31.8mm
Screen	Type	Color Matrix
	Pixel	480*320px
Connector	Type	Board End Connector
	Length	300/250mm
Core Data	Rated Voltage	36V/48V
	Support Modes	Mode Gear / Digital Gear
	Operating Temperature	-20-50°C
	Waterproof	IPX6
	Weight(g)	163±5
Further Specifications	Com.Protocol	UART/CAN
	Bluetooth	Optional
	Navigation	Optional
	Light Sensor	Yes
	Type-C	5V 500mA
Test & Certifications		CE / Rohs/EN15194/Reach

Display Content	Parameter Setting
Current Speed	Brightness
Max Speed	Auto OFF
Average Speed	Unit
Single Trip	Assist Mode
Total Distance	Date & Time
Range	Auto Lamp
Error Code	Reset
Capacity	Version Info
Walk Assistance	Battery Info
Trip Time	Error Info
Power	/
Date & Time	/